

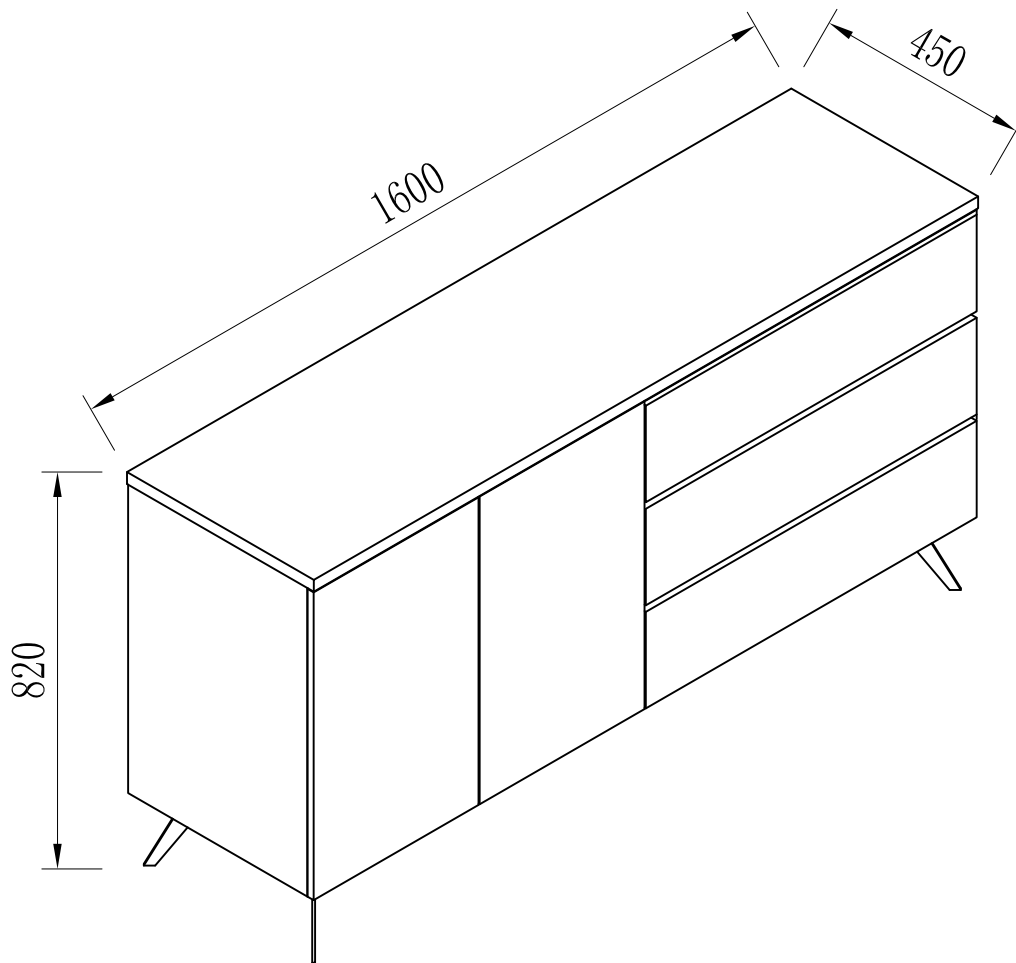


ASSEMBLY INSTRUCTION
BLAZE BUFFET
ITEM CODE 64999

Imported by Amart Furniture Pty Ltd. Qld. Brisbane Australia.

For any assistance with assembly or for missing parts please phone

Amart Furniture, Customer Service Free call 1800 351 084



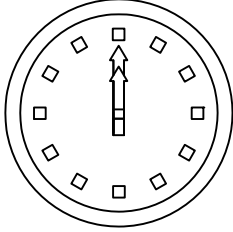
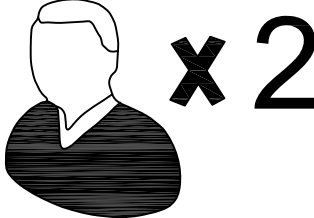

Imported by Amart Furniture Pty Ltd. Qld. Brisbane Australia.

For any assistance with assembly or for missing parts please phone Amart Furniture
Customer Service Free call 1800 351 084

PRE-ASSEMBLY PREPARATION

Before you start:

1. Choose a clean, level, spacious assembly area. Avoid hard surfaces that may damage the product
2. Take care when lifting. Product should be assembled as near as possible to the point of use
3. Ensure that you have all required contents for complete assembly.
4. Always read the assembly instructions carefully before beginning assembly.
5. Keep all hardware parts and packaging out of reach of small children.
6. Do not over tighten the screws and bolts as this may damage the threads

 ALLOW 60 MINUTES	 2 PEOPLE REQUIRED
 ⊕ ADDITIONAL TOOLS REQUIRED	

 TIPPING WARNING 	
	<p>Serious or fatal injuries may occur from furniture toppling over. To help avoid this please follow the below recommendations:</p> <ul style="list-style-type: none">• Install the provided "Tipping Kit" as per the instructions• Never allow children to climb on or hang off of any part of this product• Unless specifically designed to accommodate, do not set TVs or other heavy objects on top of this product <p>If this product has drawers:</p> <ul style="list-style-type: none">• Place the heaviest items in lowest drawers• Do not open more than 1 drawer at a time as this may cause the product to become unbalanced• Do not tamper with or remove any drawer interlocking/running system <p>Note: The use of the provided "Tipping Kit" may reduce but not necessarily eliminate the risk of furniture toppling over. Please use this product with caution.</p> <p><i>This is a permanent label. Do not attempt to remove!</i></p>

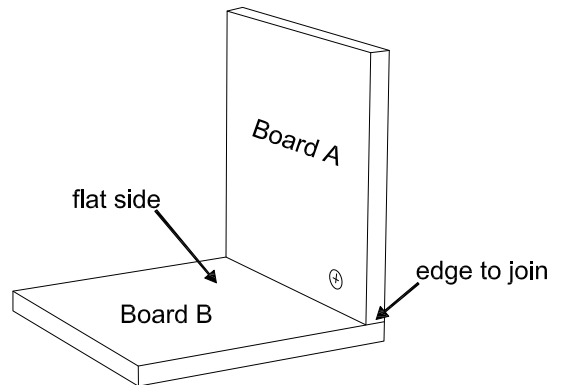
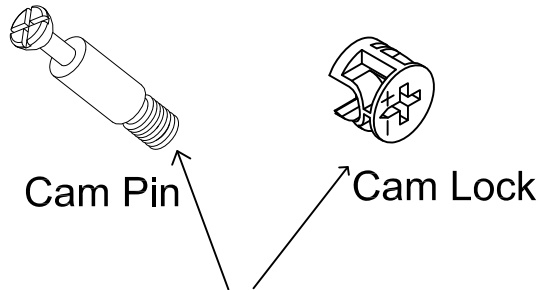
CAM Lock and Pins

step 1

HOW TO USE CAM LOCK FASTENERS

To assemble this product hardware called Cam Lock Fasteners are used. The below is information on how these work.

Cam Locks are fasteners used to join two boards together, usually the edge of one board(A) to the flat side of another board(B)



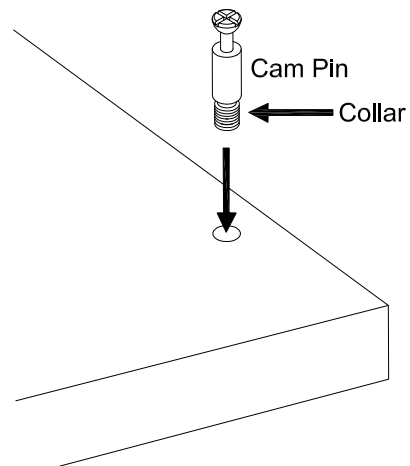
Ensure that you use the correct images that are representative of the hardware used in the product

step 2

To use Cam Lock Fasteners

The Cam Pin is inserted into the flat side of a board, it is important that:

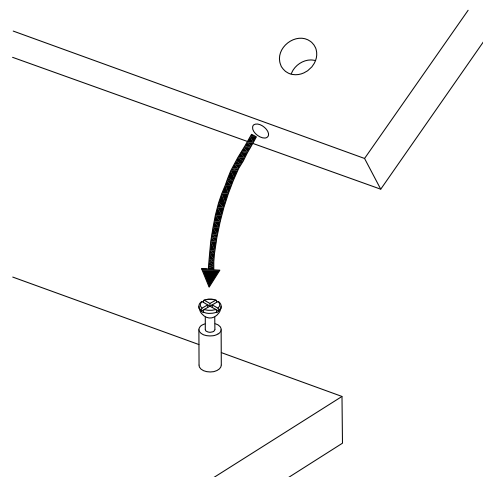
- * The cam pin is kept vertical and is not put in on an angle
- * Cam Pin is inserted up to the collar
 - * Too far and it wont catch the Cam Lock (Do not Over Tighten)
 - * Not enough and the resulting product wont be stable



step 3

To use Cam Lock Fasteners

Now fit the hole in the edge of the joining board over the Cam Pin

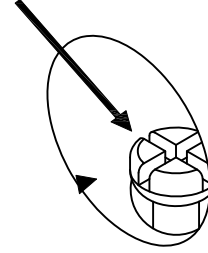


step 4

To use Cam Lock Fasteners

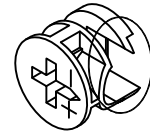
The Head of the Cam Pin will be visible in the large hole on the side of the joining board

head of the Cam Pin



To use Cam Lock Fasteners

Notice the Cam Lock has a "C" Shaped back An Arrow or +/- signs on the front, indicated the open section on the back of the Cam Pin



Cam Lock

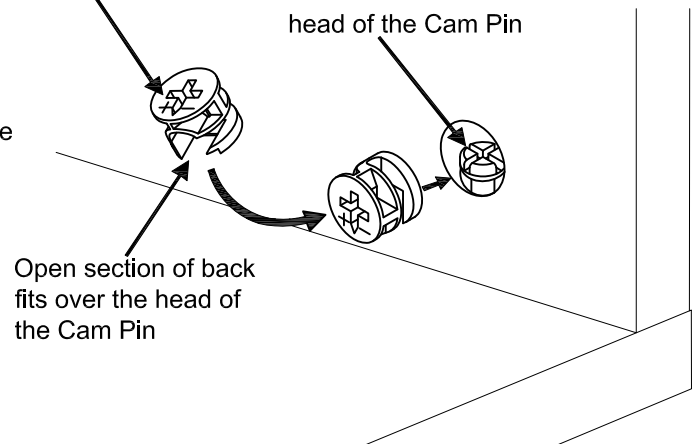
step 5

To use Cam Lock Fasteners

In sert the Cam Lock into the large hole so the opening of the "C" fits over the head of the Cam Pin. You must ensure that the Cam Lock is pushed to the bottom of the hole to catch the top of the Cam Pin

Arrow or +/- signs

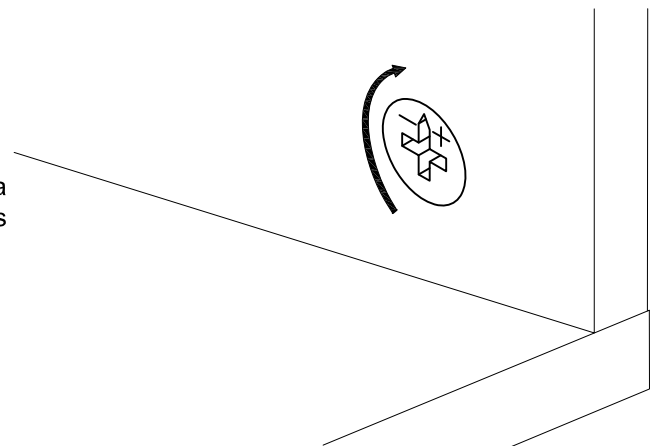
head of the Cam Pin



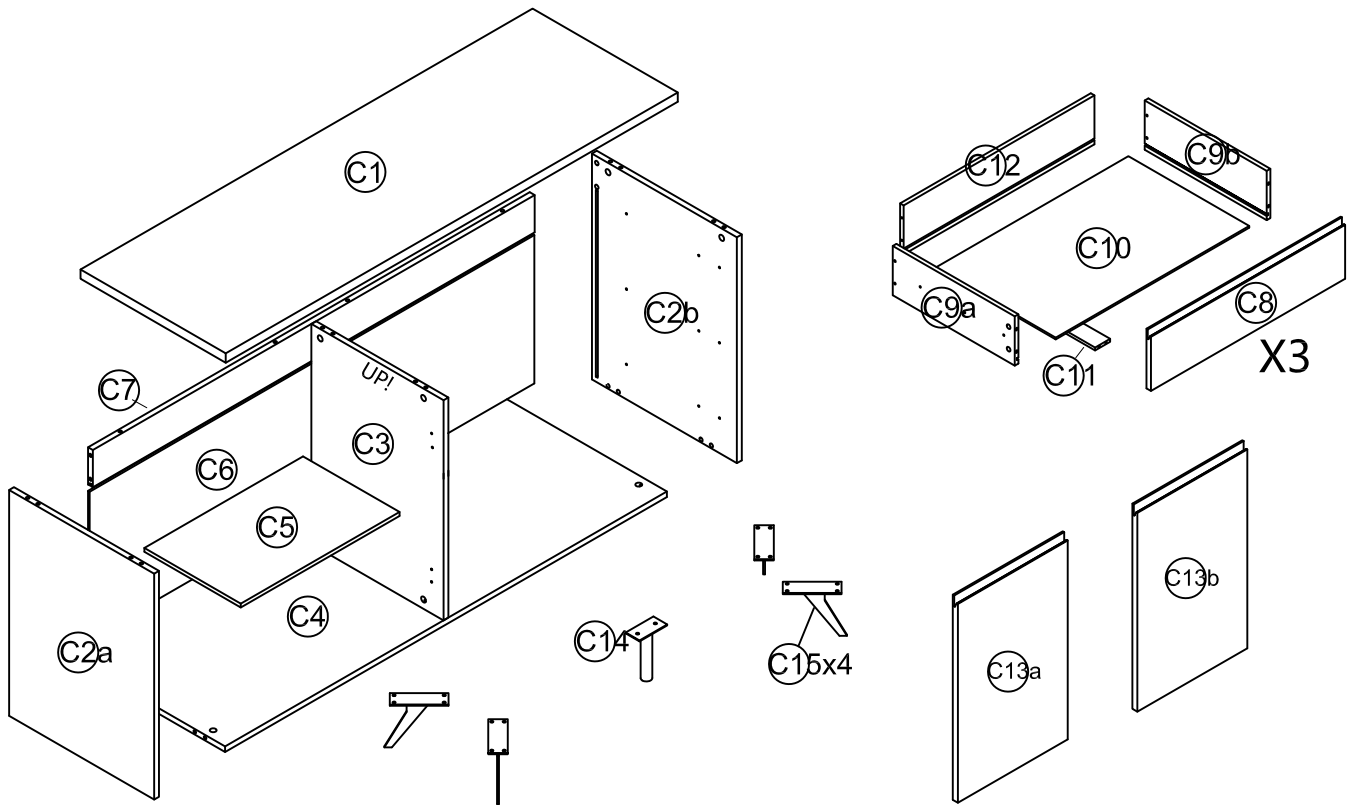
step 6

To use Cam Lock Fasteners

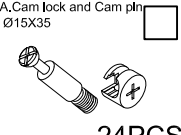
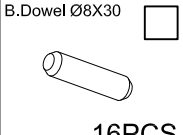
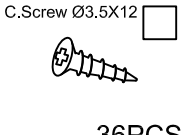
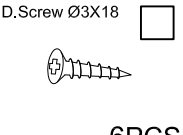
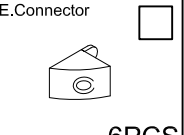
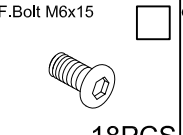
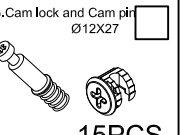
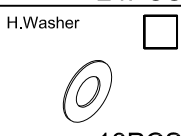
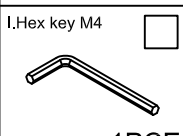
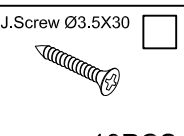
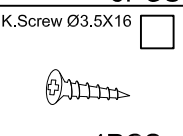
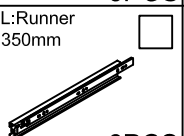
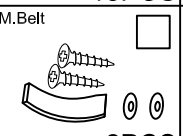
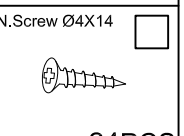
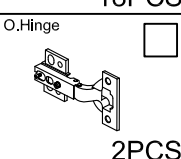
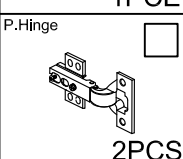
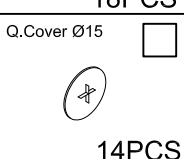
Use a flat screwdriver to turn the Cam Lock clockwise one half a turn so it Locks onto the head of the Cam Pin. Turn only until it is snug-over-tightening could cause the Cam to bend or break. If it will not turn the full amount, turn the Cam Pin out (counter-clockwise) one full turn, and try the Cam Lock again.



PARTS LIST



C1	Top Panel	C9b	Drawer Right Side Panel
C2a	Left Side Panel	C10	Drawer Bottom Panel
C2b	Right Side Panel	C11	Drawer Connect Panel
C3	Support Panel	C12	Drawer Back Panel
C4	Bottom Panel	C13a	Door Panel
C5	Shelf Panel	C13b	Door Panel
C6	Back Panel	C14	Middle Metal Leg
C7	Back Rail Panel	C15	Metal Legs
C8	Drawer Front Panel		
C9a	Drawer Left Side Panel		

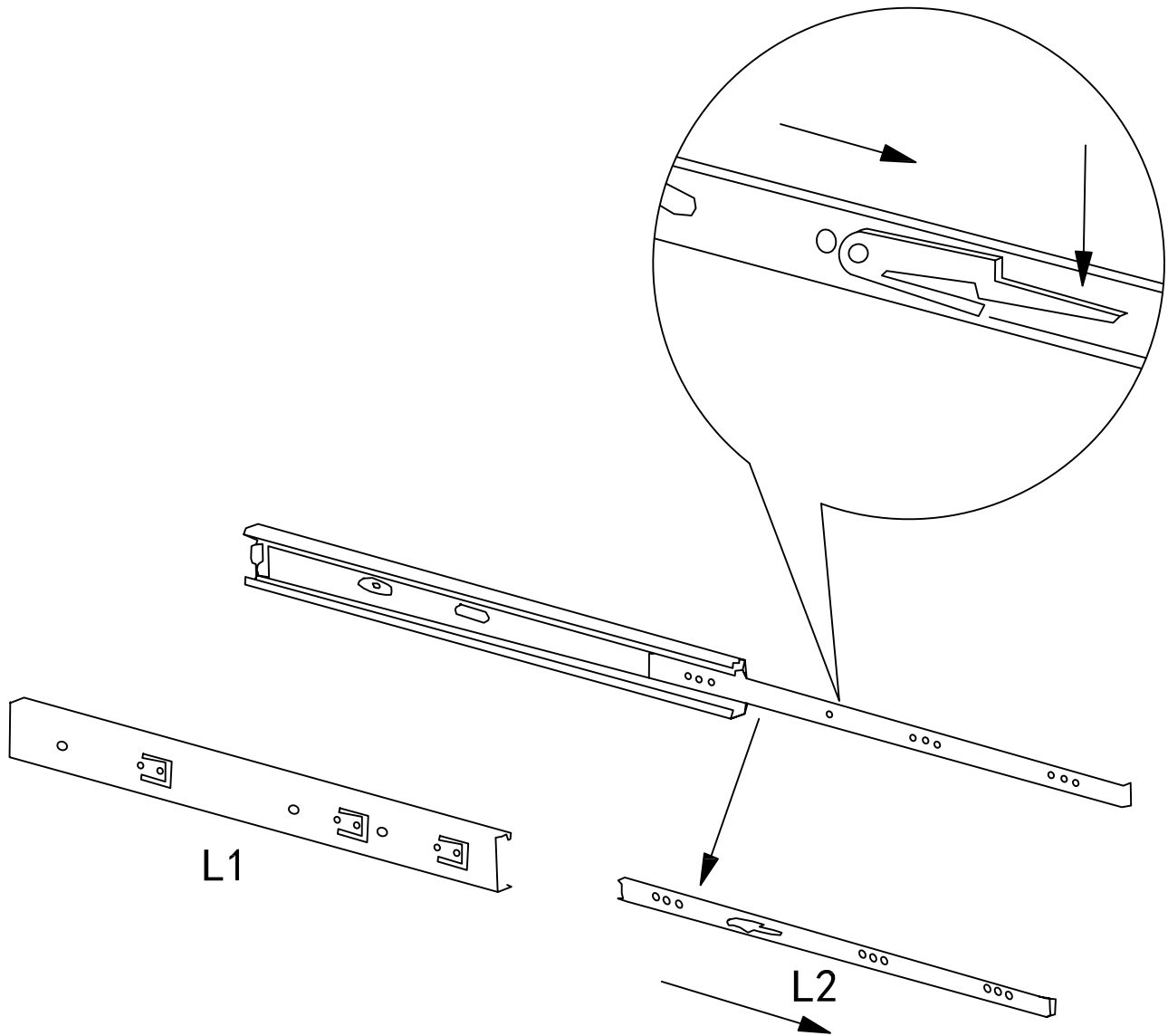
 <p>A. Cam lock and Cam pin Ø15X35</p> <p>24PCS</p>	 <p>B. Dowel Ø8X30</p> <p>16PCS</p>	 <p>C. Screw Ø3.5X12</p> <p>36PCS</p>	 <p>D. Screw Ø3X18</p> <p>6PCS</p>	 <p>E. Connector</p> <p>6PCS</p>	 <p>F. Bolt M6x15</p> <p>18PCS</p>	 <p>G. Cam lock and Cam pin Ø12X27</p> <p>15PCS</p>
 <p>H. Washer</p> <p>18PCS</p>	 <p>I. Hex key M4</p> <p>1PCE</p>	 <p>J. Screw Ø3.5X30</p> <p>18PCS</p>	 <p>K. Screw Ø3.5X16</p> <p>4PCS</p>	 <p>L. Runner 350mm</p> <p>6PCS</p>	 <p>M. Belt</p> <p>2PCS</p>	 <p>N. Screw Ø4X14</p> <p>24PCS</p>
 <p>O. Hinge</p> <p>2PCS</p>	 <p>P. Hinge</p> <p>2PCS</p>	 <p>Q. Cover Ø15</p> <p>14PCS</p>				

64999

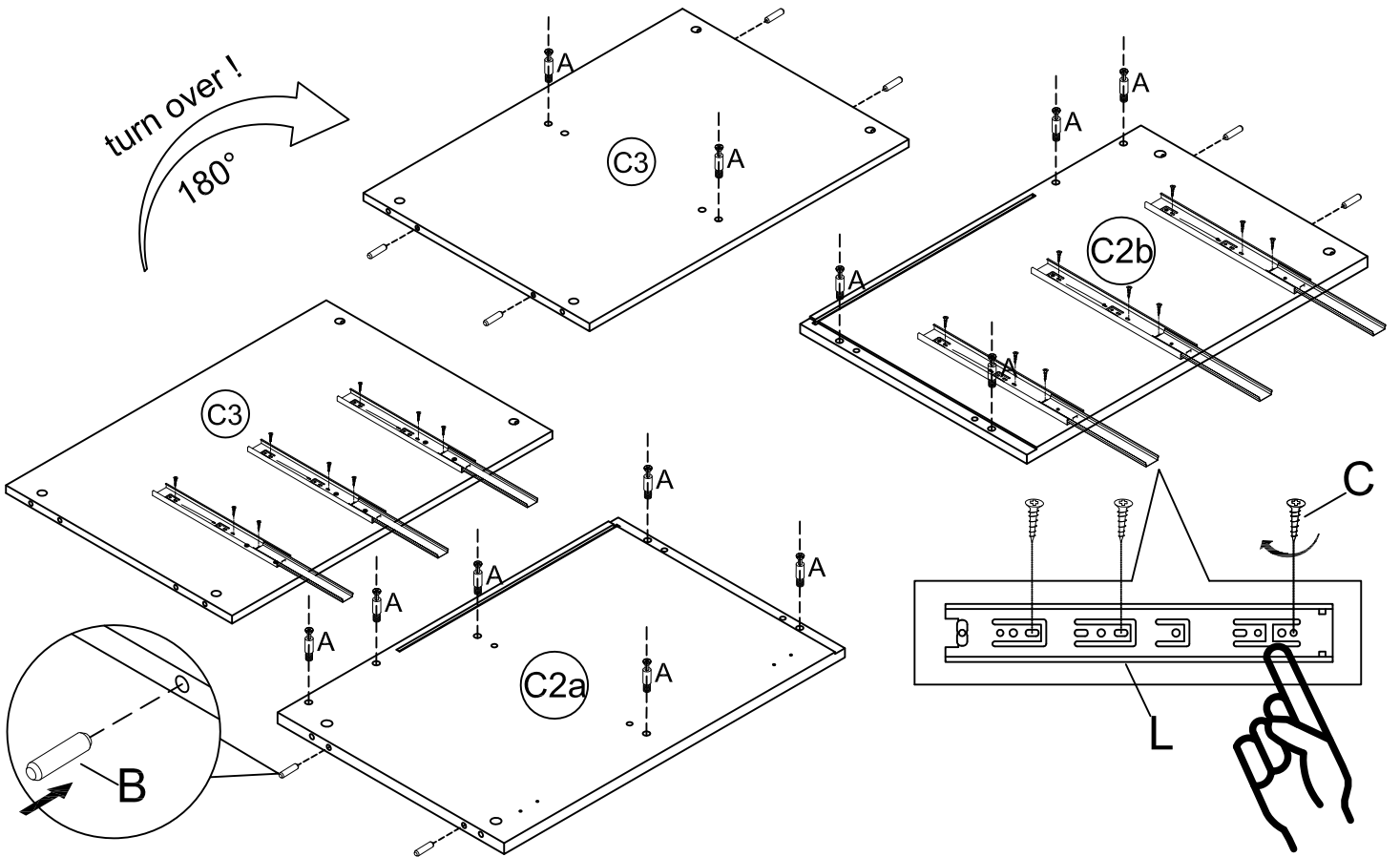
STEP 1:

Runner slide separately ($L=L1+L2$)

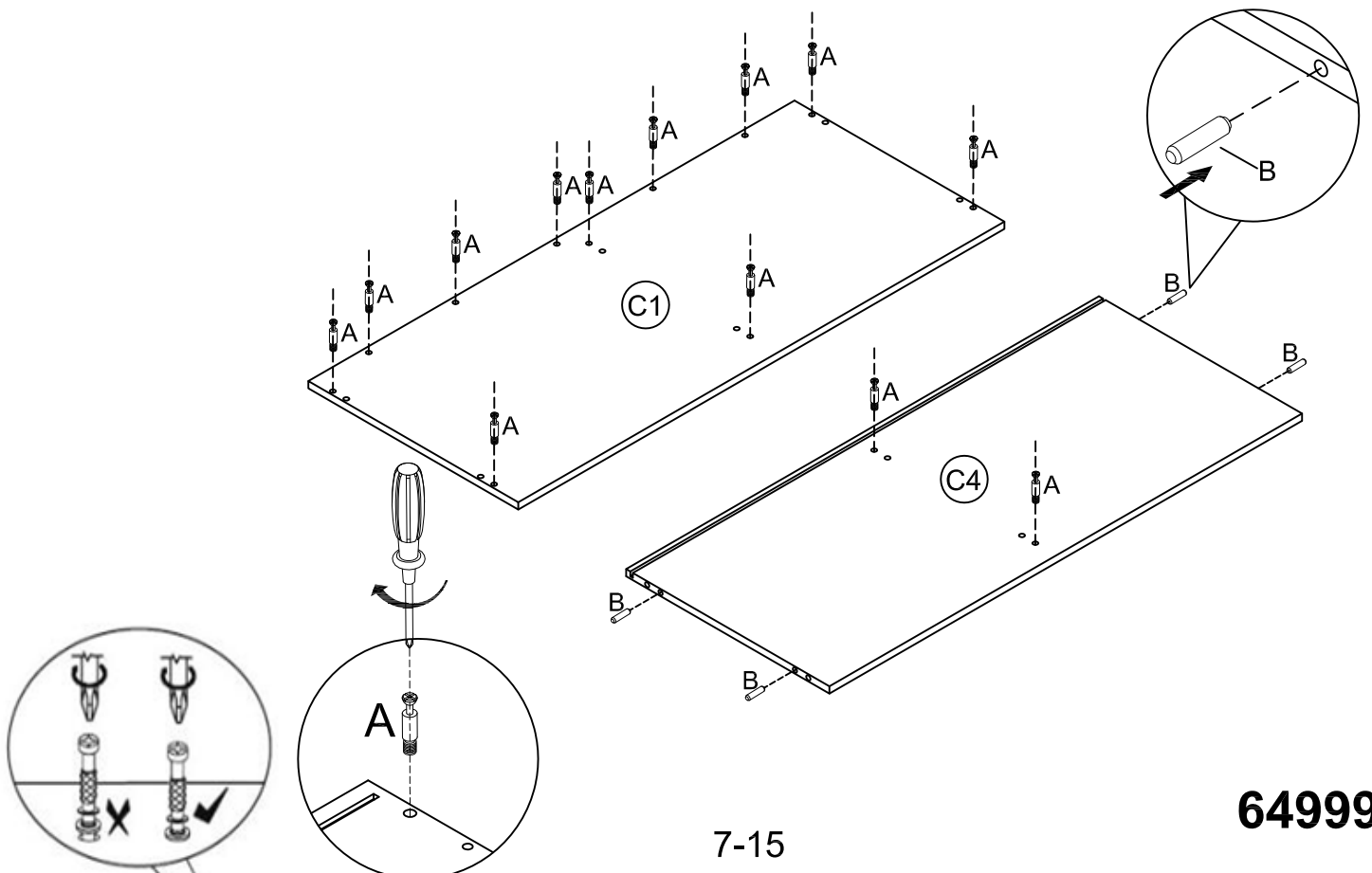
Carefully pull out the runner slide (L2) and press plastic clip to fully separate runner slide as diagram shown



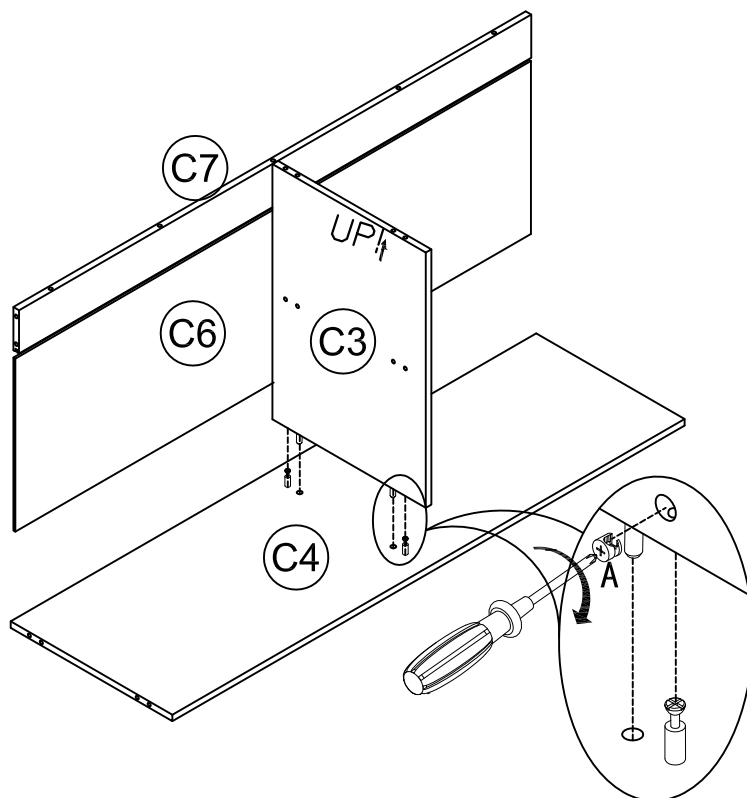
STEP 2: Tighten the Runner(L1)to the Support Panel(C3)and Right Side Panel(C2b)with Screw(C).
Insert the Cam Pin(A) and Dowel(B)to the Support Panel(C3)and the Side Panels (C2a C2b).



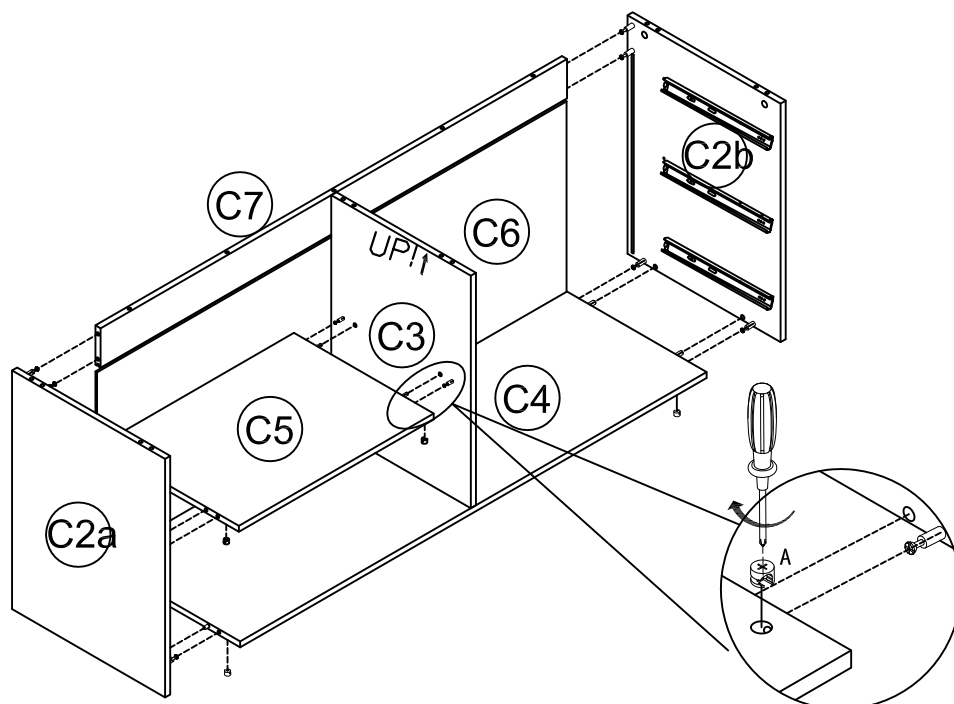
STEP 3: Use Phillips Head Screwdriver to Insert the Cam Pin(A)to the Top Panel(C1)and the Bottom Panel(C4). Insert Dowel(B)to Bottom Panel(C4)



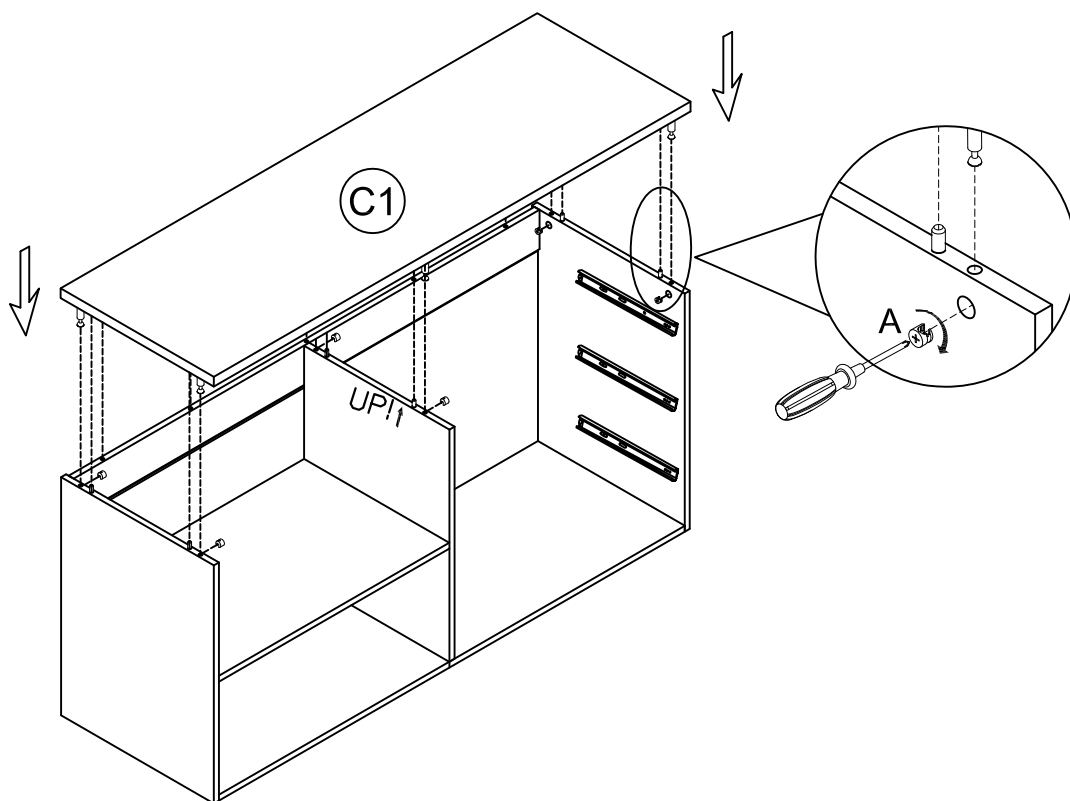
STEP 4: Insert Cam Lock (A) into the large hole of Support Panel(C3).Use a Phillips Head Screwdriver to turn the Cam Lock(A) to lock into the head of the Cam Pin.



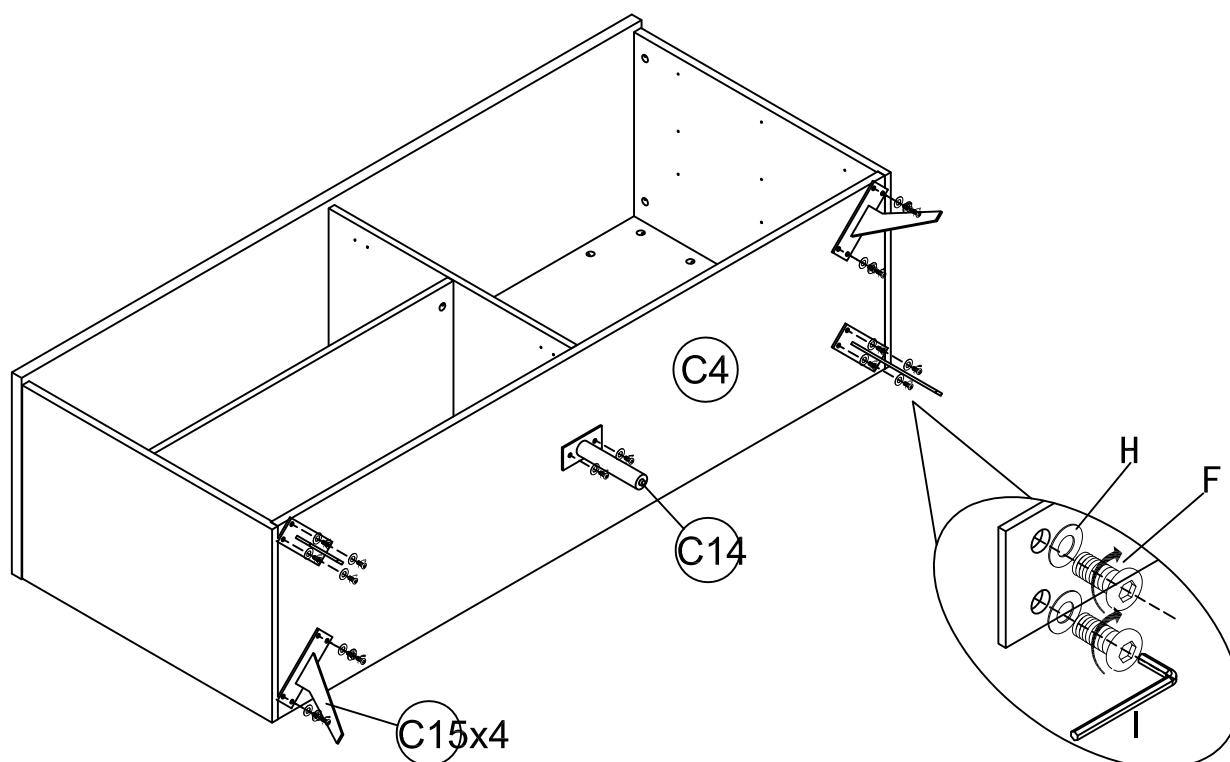
STEP 5: Insert the Cam Lock(A)to the large hole of the Shelf Panel(C5) and the Bottom Panel(C4). Use a Phillips Head Screwdriver to turn the Cam lock to locks onto the head of Cam Pin(A)



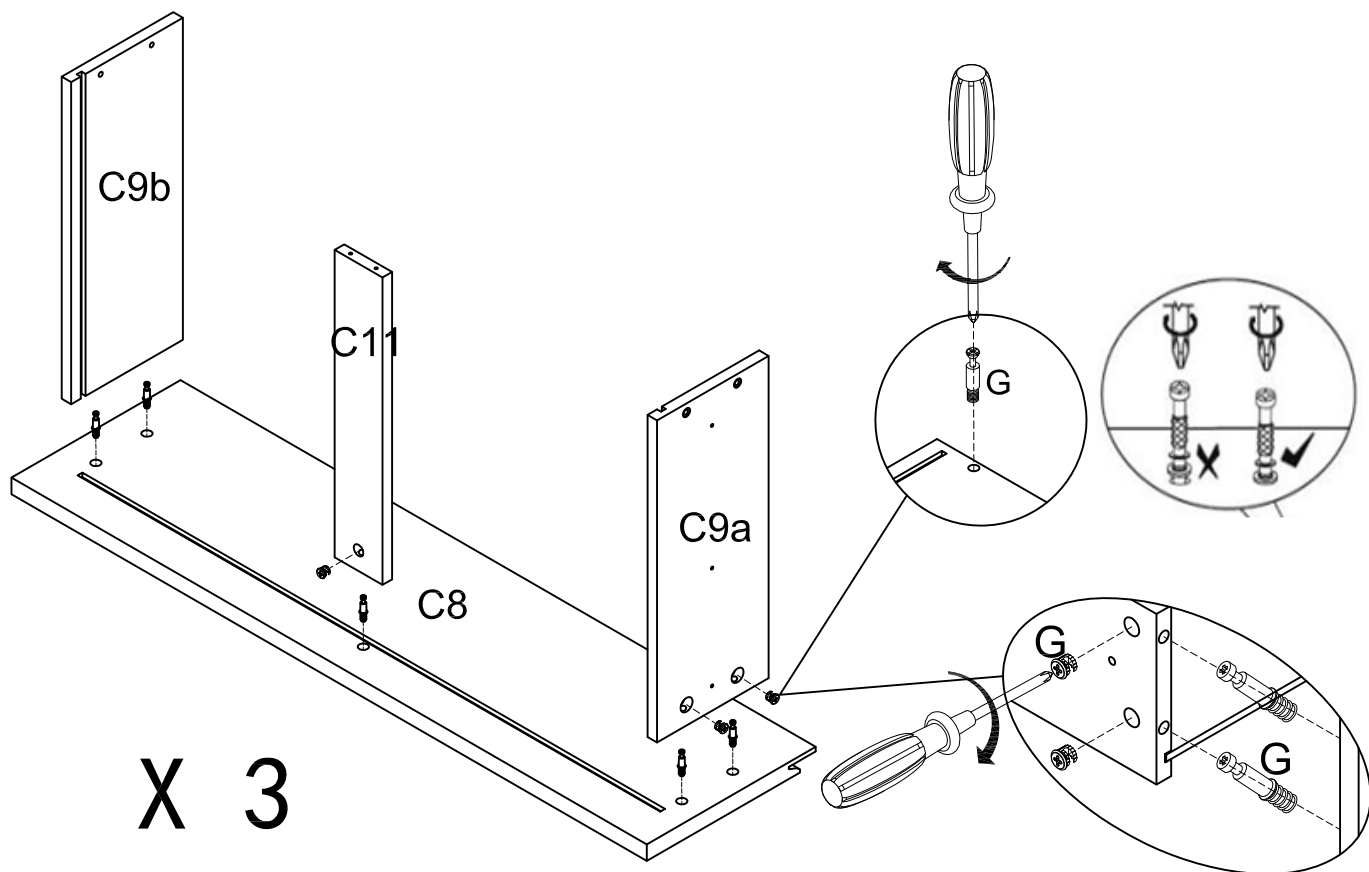
STEP 6: Insert Cam Lock (A) into the large hole of Left Side Panel(C2a)and Right Side Panel(C2b). and the Support Panel(C3). Use a Phillips Head Screwdriver to turn the Cam Lock(A) to lock into the head of the Cam Pin.



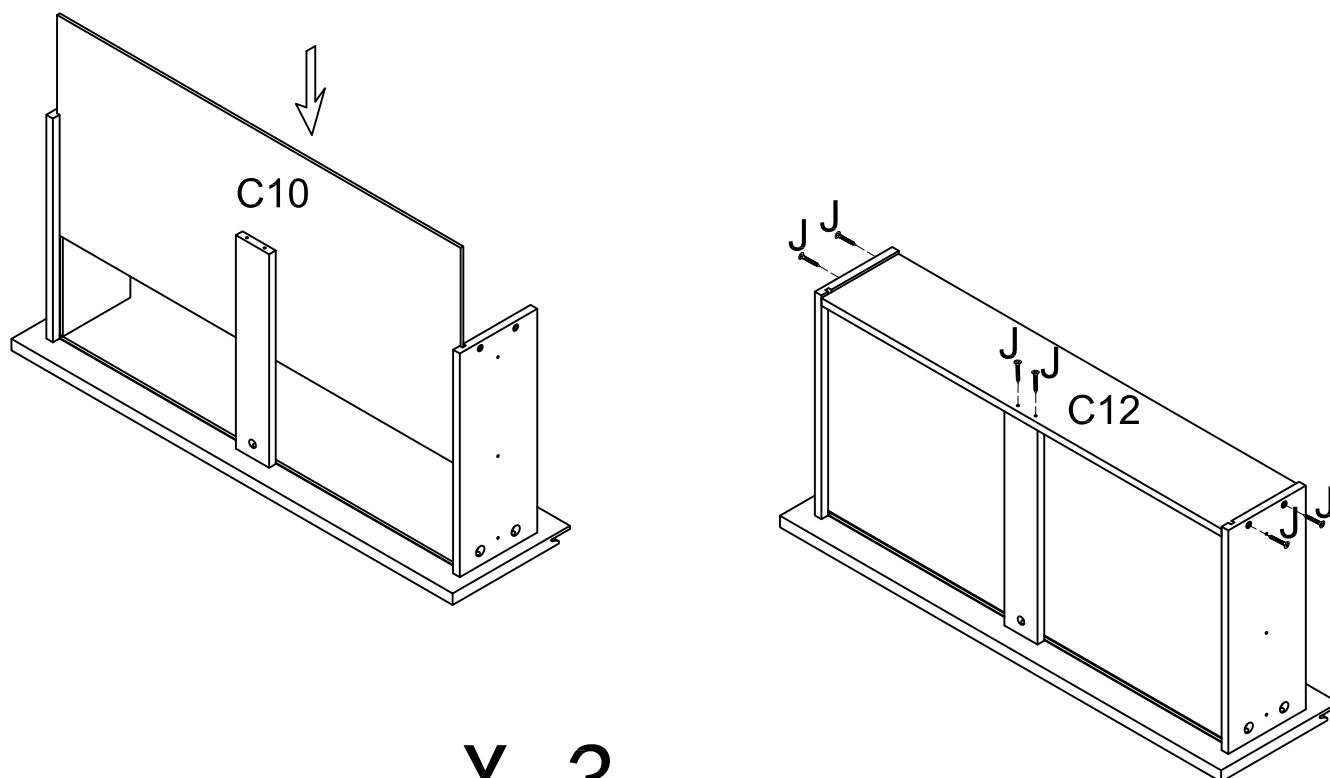
STEP 7: Put Bolt(F)through Washer(H),then use hex key(I)to tighten the legs(C14,C15)to the Bottom Panel(C4).



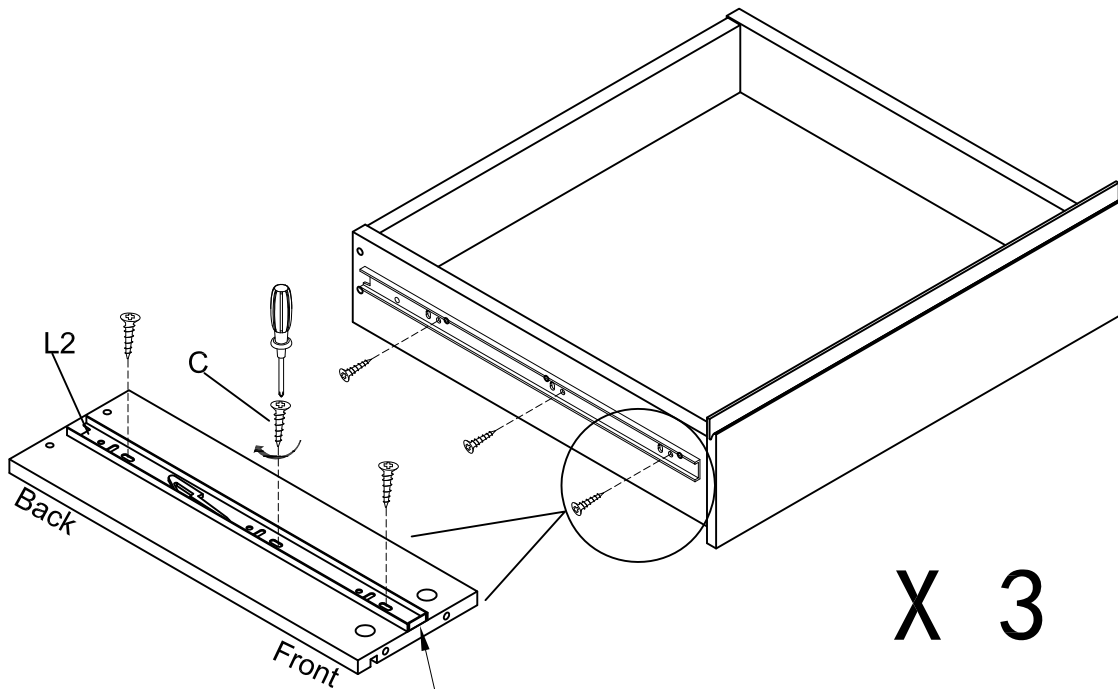
STEP 8: Insert the Cam Pin(G)to the Drawer Front Panel(C8). Insert the Cam Lock(G)to the large hole of the Drawer Side Panels(C9a,C9b)and Drawer Connect Panel(C11). Then turn the Cam Lock(G) to lock into the head of the Cam Pin(G).



STEP 9: Insert the Drawer Bottom Panel(C10)to the Drawer Side panel(C9a,C9b) and Drawer Front Panel(C8)Use a Phillips Head Screwdriver to tighten Drawer Back Panel(C9)to the Drawer Side Panel(C9a.C9b)and Drawer Connect Panel(C12)with Screw(J).



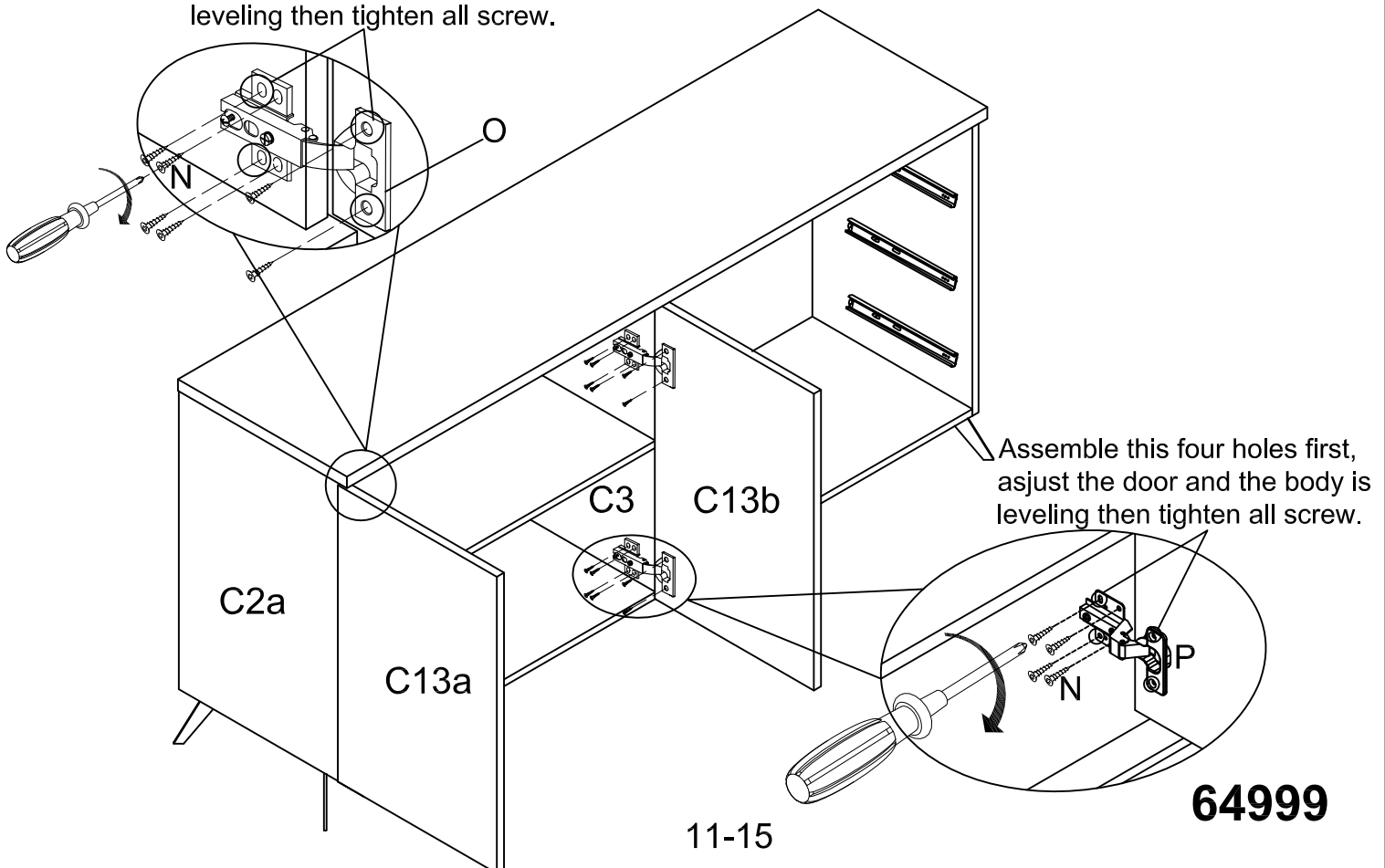
STEP 10: Use a Flat Head Screwdriver to tighten Runner(L2)to the Drawer Side Panel(C9a.C9b) with Screw(C).



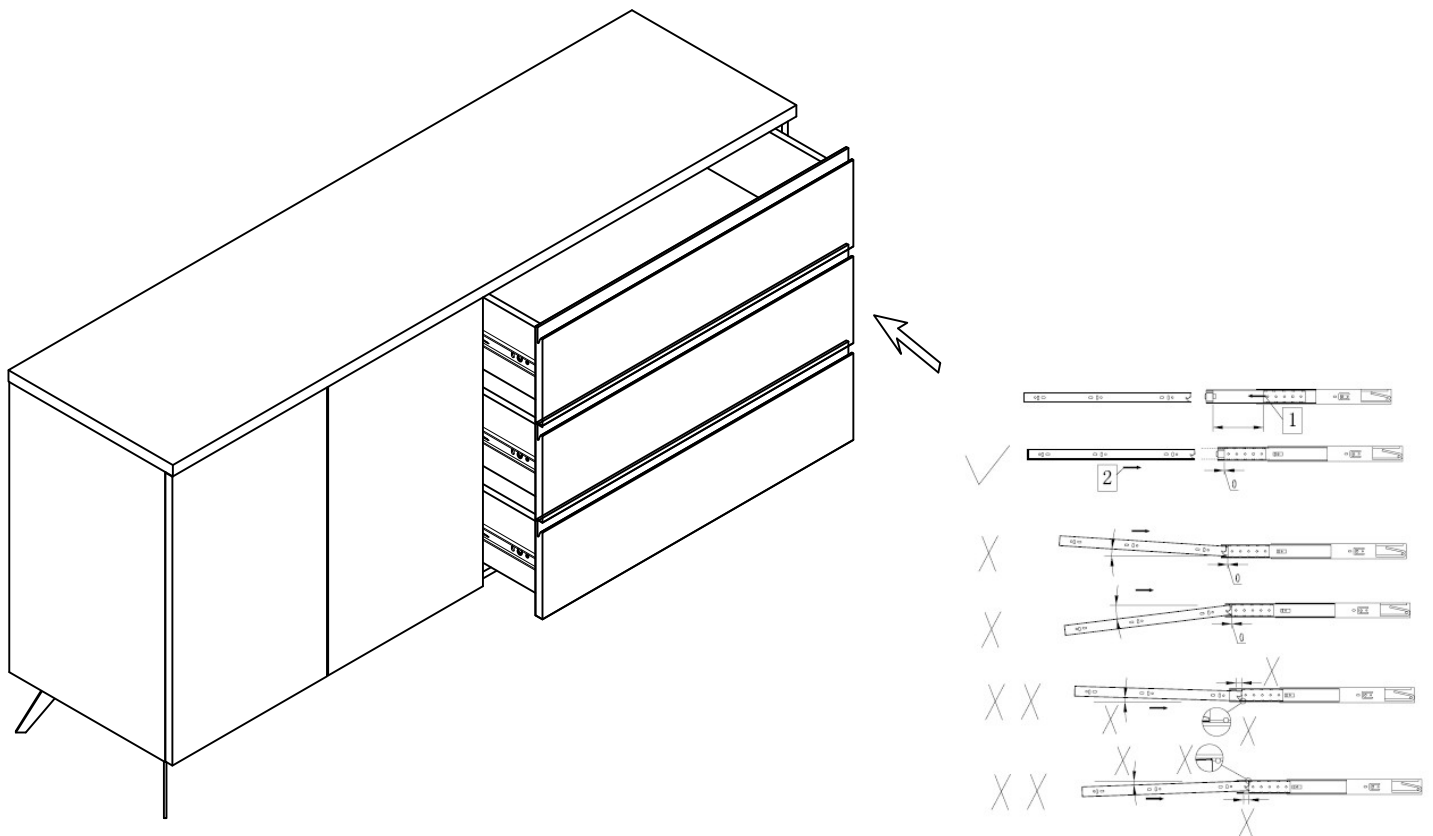
Runner slide must be flush with the drawer side panel edges during assembly step"

STEP 11: Use Phillips Head Screwdriver to assemble Hinge(O)to the Door Panel C13a and to the left Side Panel(C2a),to assemble Hinge(P)to the Door Panel C13b to the Support Panel(C3)with Screw(N)

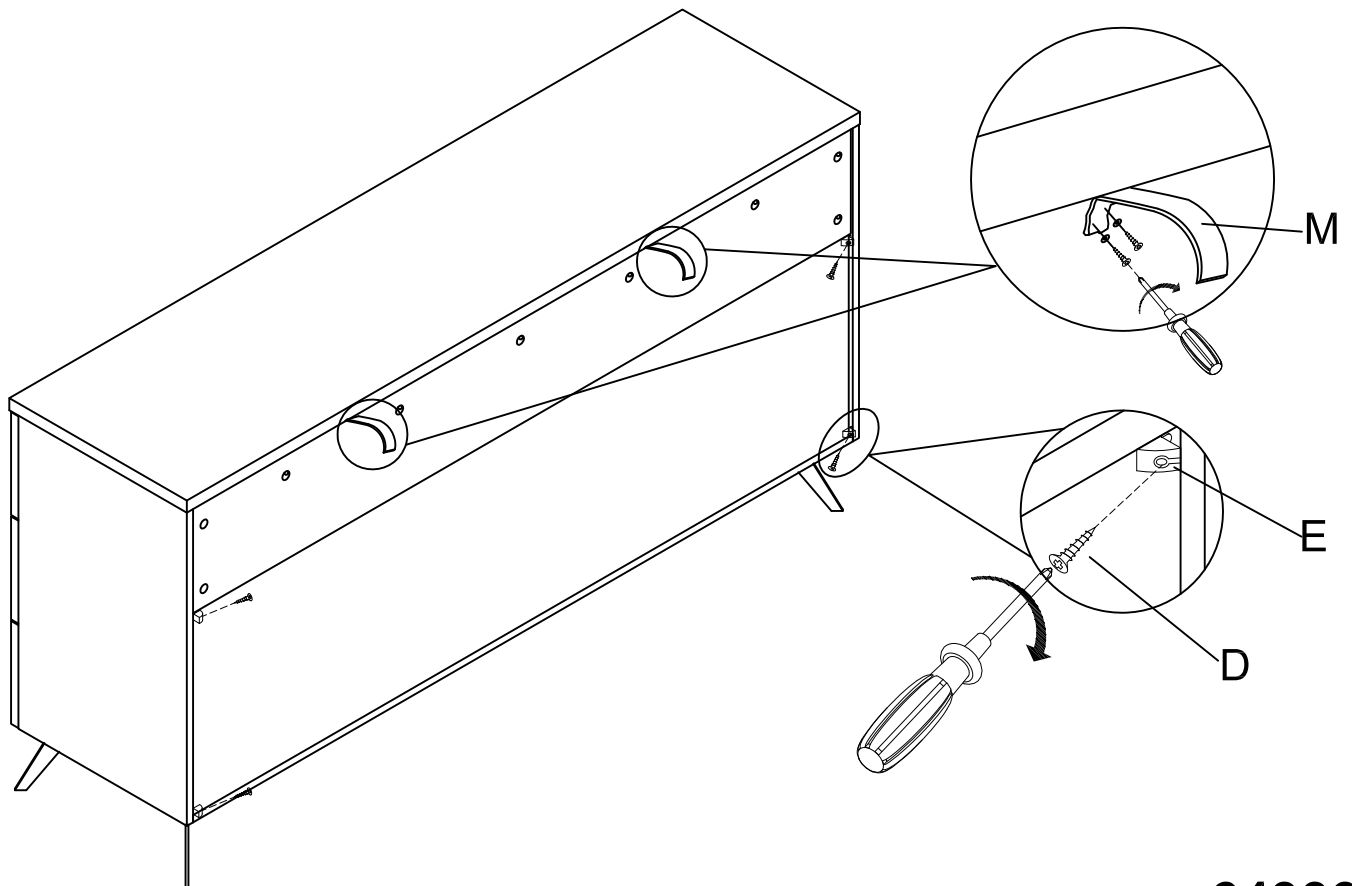
Assemble this four holes first, asjust the door and the body is leveling then tighten all screw.



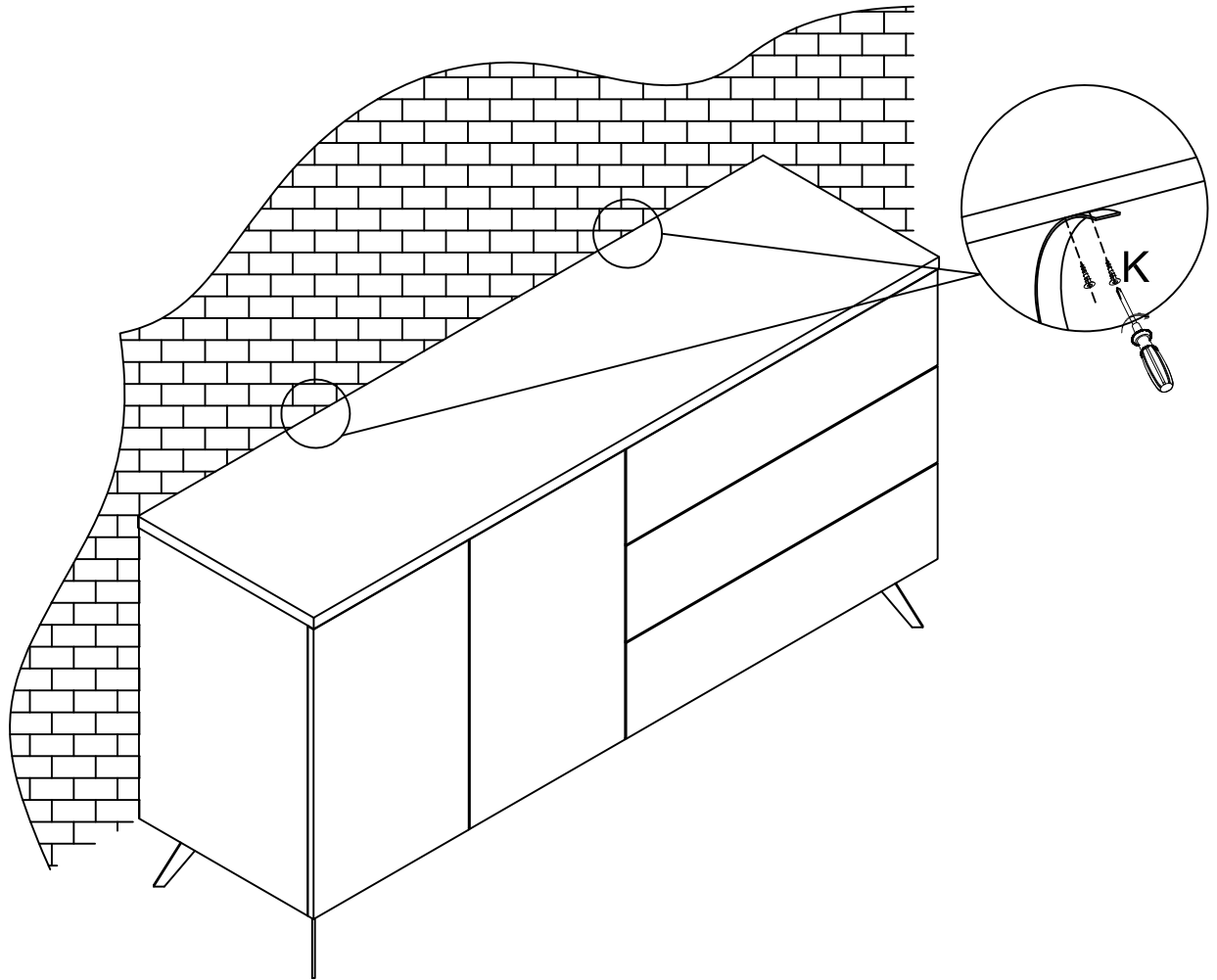
STEP 12: Insert the Drawers to the body.



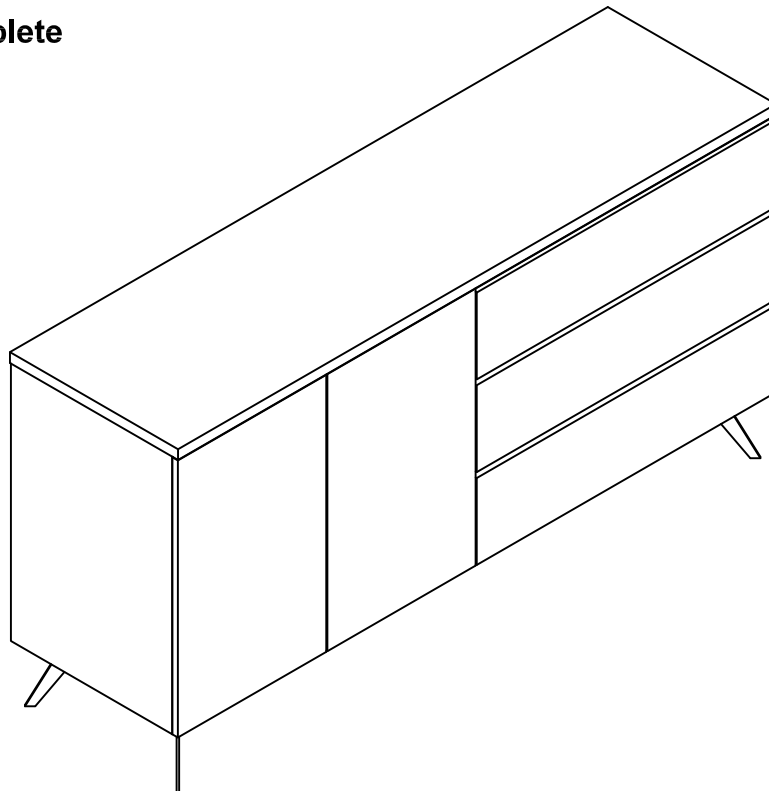
STEP 13: Use a Phillips Head Screwdriver to tighten the Connector(E)to the corner of back with screw(D).use a Phillips Head Screwdriver to tighten the Belt(M)to the Rail Panel(C7). with Screw(M).



STEP 14: Use Phillips Head Screwdriver to tighten the Belt(M)to the wall with Screw(K)

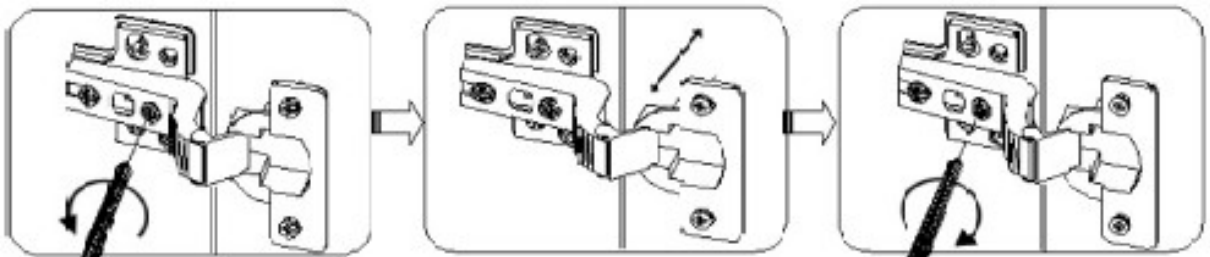
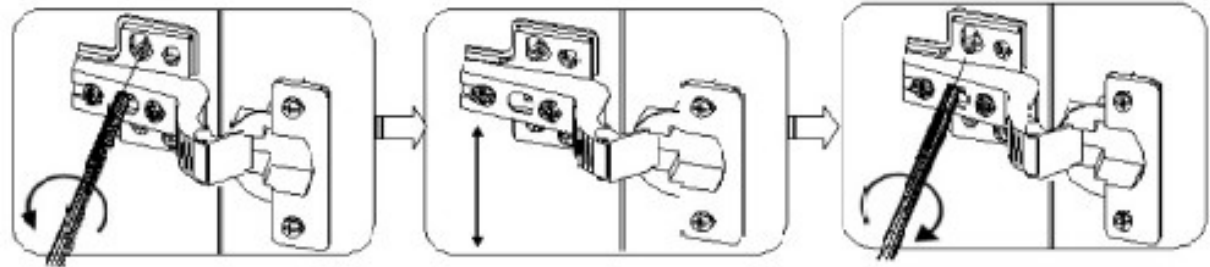
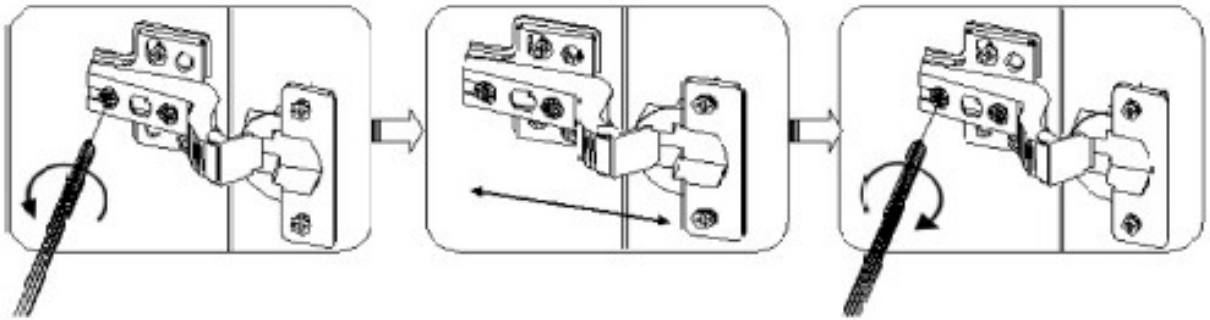
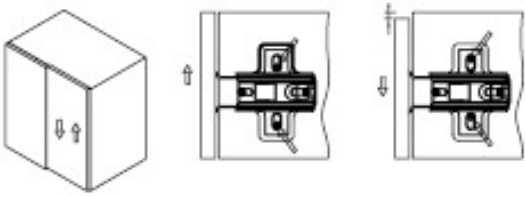
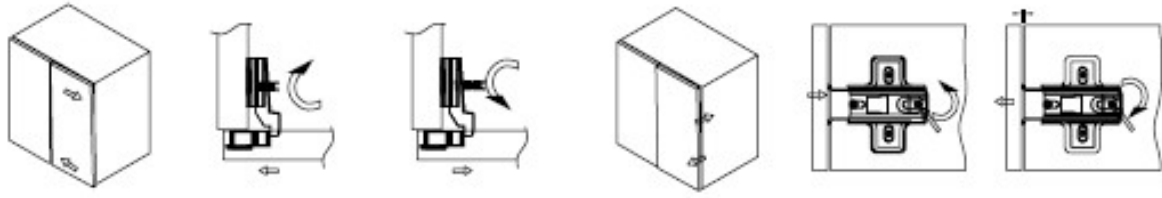


Assembly is complete



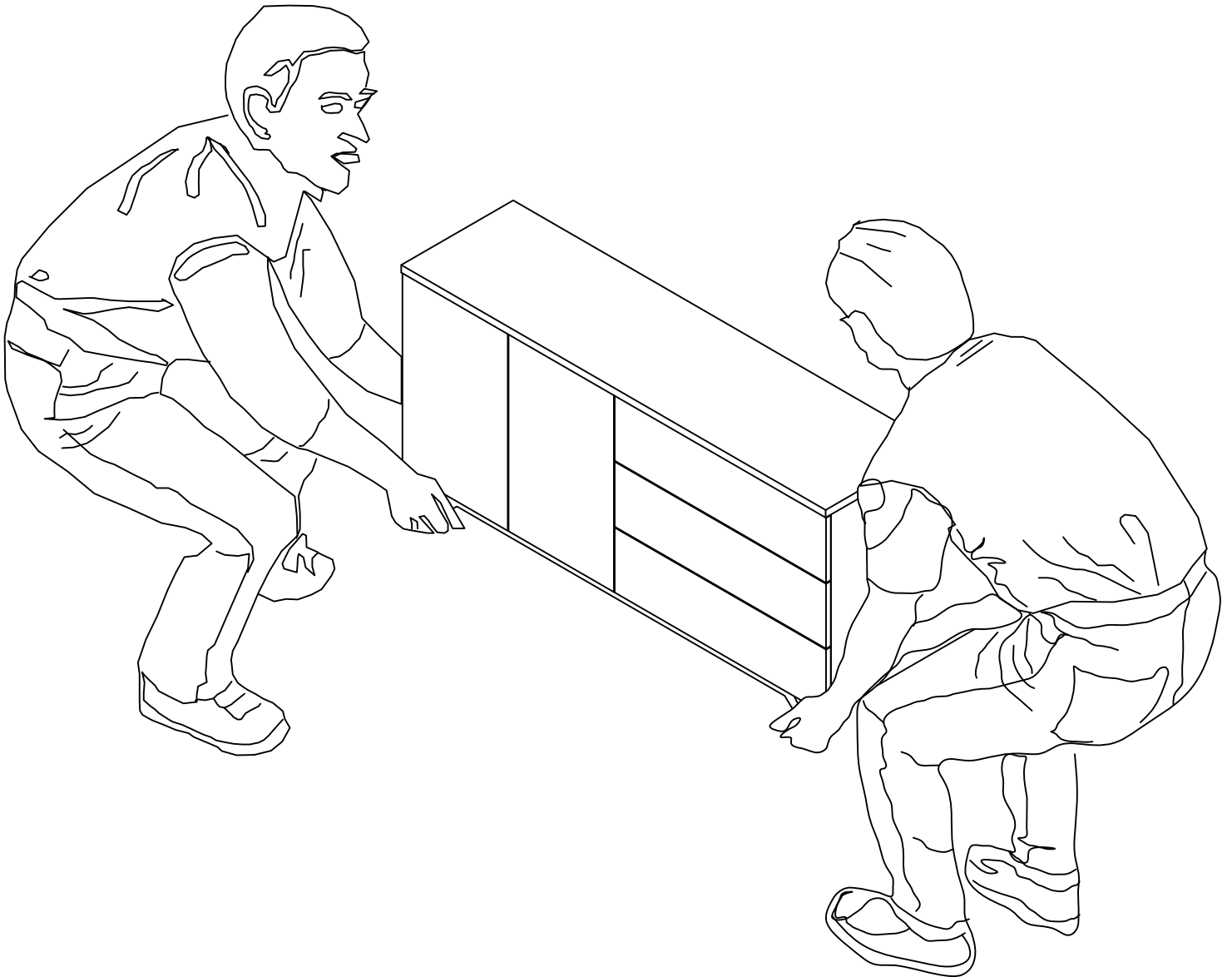
As wall materials vary, screws for fixing to wall are not included.
For advice on suitable screw systems, contact your local specialised dealer.

64999



Note -

Do not drag the furniture as this may cause damage to the legs. Instead, use 2 persons to lift carefully with caution from either end.



IMPORTANT: CARE GUIDE FOR YOUR HI-GLOSS FURNITURE

Congratulations! You have just purchased a quality product from Amart Furniture, Australia's largest discount furniture retail store. Please read on for important information regarding your purchase...

Hi-gloss lacquered furniture is more sensitive to marks and scratching than some other furniture products. It is important to exercise caution and care to maximise the life and beauty of this product.

Following the below simple guidelines when using your hi-gloss product will protect your investment for years to come:

- Dust frequently with a clean damp, lint-free cloth. This will help remove abrasive build up which can damage a finish over time.
- Avoid using chemicals or solvents when cleaning the product.
- Do not place hot objects on any furniture surface. Always use a hot plate or placemat. Lacquer finishes provide added scratch and heat resistance to our furniture, but they can still be damaged without proper care.
- Avoid exposing your furniture to strong sunlight. Prolonged exposure to direct sunlight can fade the finish of your furniture.
- Do not expose your furniture to any liquids. Avoid allowing water to sit on your furniture. Alcohol, nail polish and perfume are particularly harmful as they will dissolve the lacquer finish on contact.
- Do not allow plastic to come in direct contact with your furniture. Chemicals in the plastic of some placemats etc may soften and mark the finish if left in contact with the furniture for a period of time.
- Avoid placing sharp or rough objects on the surface of your furniture. These may scratch the surface of the product.
- When moving your furniture, do not drag it across the floor. This may damage the product. Instead use two people to lift carefully with caution from either end.